



MoticEasyScan

Affordable and Accessible Pathology Imaging
and Workflow Solutions from

Motic®

DIGITAL PATHOLOGY

Whole Slide Image Scanning to...

Improve
your clinical consultations

Accelerate
your research

Transform
your classroom

Evolve
your archives

Motic whole slide scanners and image software allow users to:

- Access diagnostic expertise more efficiently through sending scanned slide images
- Obtain second opinion consultations without shipping slides
- Output slide images in multiple open formats for easy access and sharing
- Bundle confidential patient data securely with our proprietary .ds format
- Toggle side-by-side slide display for IHC or reference image use

Our Scanners

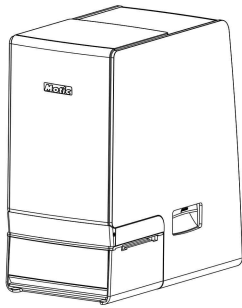
FS-Live for Telepathology

CONTENTS

Pages 01-02

Pages 03-04

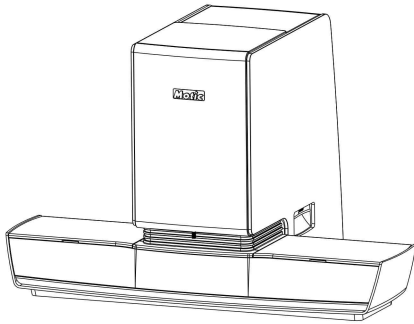
MOTIC'S LINE OF WHOLE SLIDE IMAGING SCANNERS PROVIDES SOLUTIONS TAILORED FOR A VARIETY OF LAB ENVIRONMENTS:



The MoticEasyScan One

Our slimmest and most affordable model, offering 1-slide capacity and a compact footprint that sits discreetly at any workbench. Optional live view mode coupled with efficient scanning makes the One a perfect choice for small, low-throughput labs.

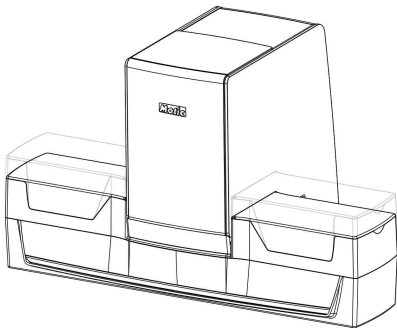
.....



The MoticEasyScan Pro

The ideal scanner for mid-sized clinics and networked labs. The MoticEasyScan Pro features a 6-slide capacity tray and optional live view mode for a robust, all-in-one scanner optimized for teleconsultations and remote frozen sections.

.....



The MoticEasyScan Infinity

Our most powerful scanner, offering uninterrupted, continuous scanning for 60- or 100-slide high-throughput needs. Add slides at any time in the scanning process without disruption. Perfect for research, data acquisition, education, and archival uses.

.....

DSServer

Scanning Modes

Technical Specifications



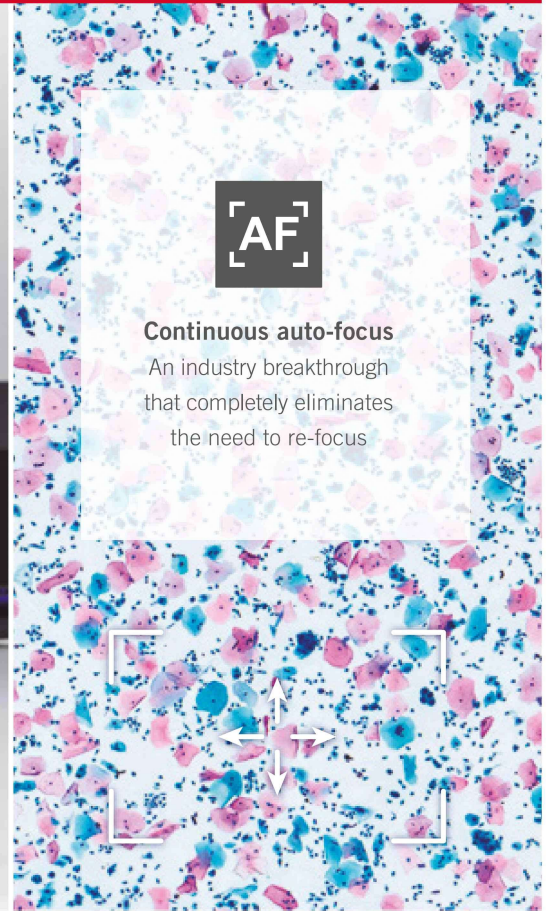
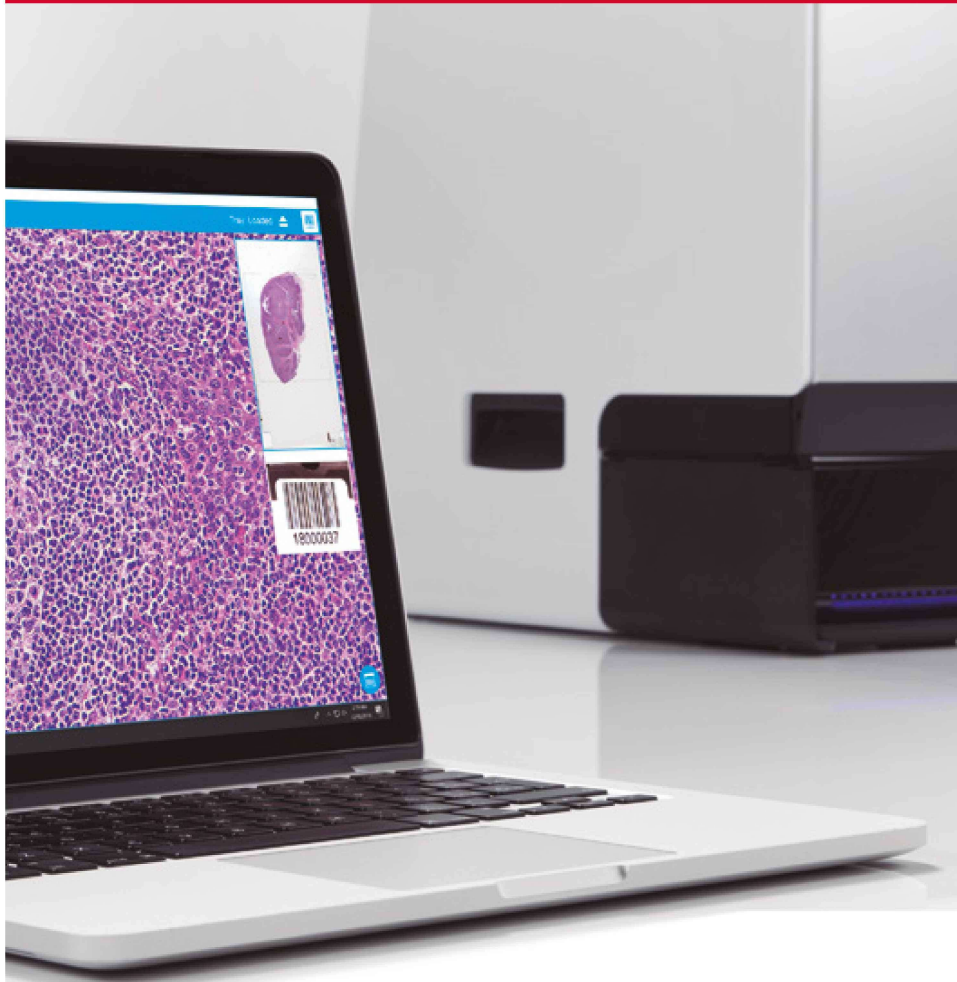
Pages 05-06



Pages 07-08



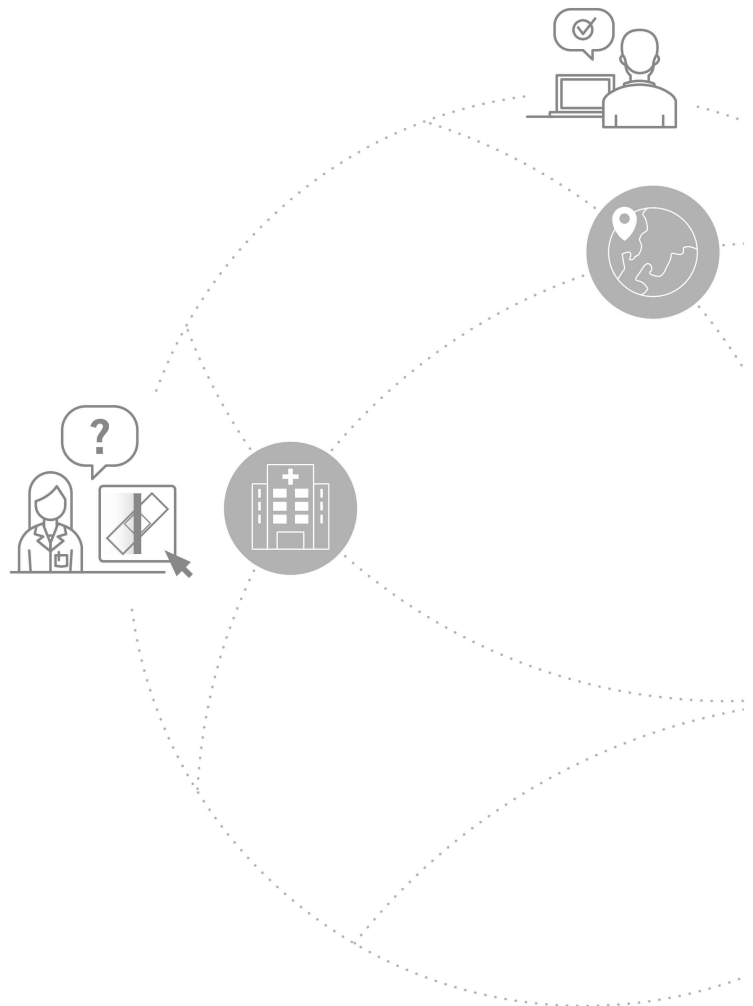
Pages 09-10



FS-Live

Diagnose from Anywhere

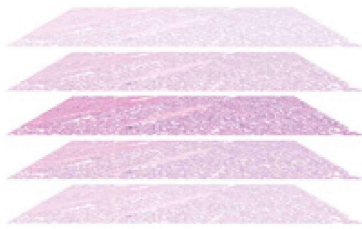
The FS-Live Telepathology System transforms the MoticEasyScan One and Pro scanners into live microscopes that can be piloted remotely offsite. Eliminate travel time, support multiple labs from one location, and keep control entirely in the pathologist's hands.





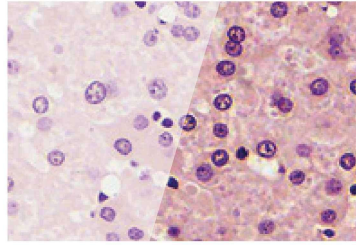
Z-stack snapshot

Capture and compile multiple depths of focus from a single slide into a composite image



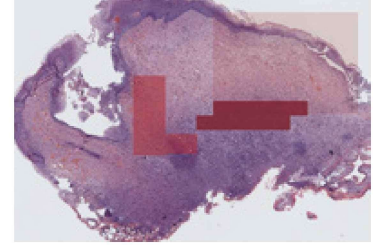
Gamma adjustment

Digitally lighten over-stained nuclei to reveal structural details



Macro heatmap

Tracks which areas on the slide have been viewed



2 view modes

Default for pixel-to-pixel resolution, or full view mode for faster scanning



On-screen tools

Place markers, take measurements, and communicate with collaborators, all in the same window



Hotkeys

For an ergonomic, distraction-free workflow

FS-LIVE IS BUILT FOR

FROZEN SECTIONS

FNA

CYTOLOGY

ROSE

TUMOR BOARDS

KEY FEATURES:

- Continuous autofocus completely eliminates the need to refocus, no matter the size or thickness of the sample
- Onscreen measurement, add-marker, heatmap, and notepad features put all the necessary tools at the pathologist's fingertips
- 8 different magnification levels
- No need to restrain, as contrast adjustment digitally corrects over- or under-staining
- One-click snapshot and Z-stacking to capture and share images without interrupting workflow
- Manually pan through cell layers for cytology applications
- Generates a macro-preview within 2 seconds of tray loading
- Pilotable live view of the slide populates within 5 seconds of tray loading

COLLABORATE ANYWHERE



DSServer

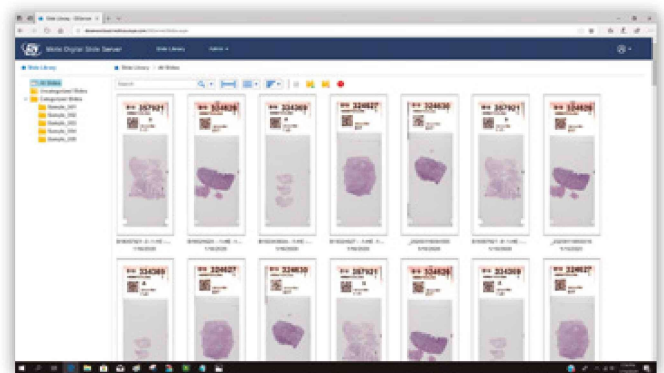
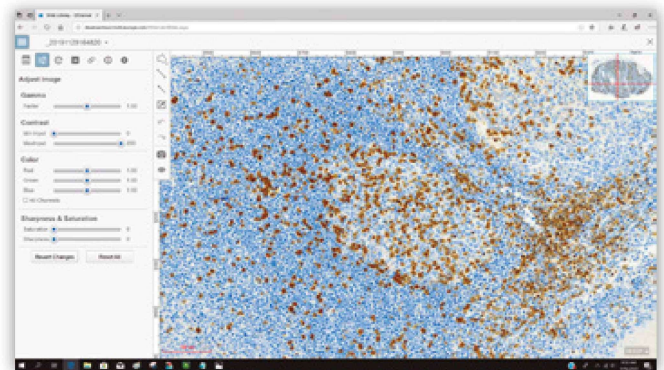
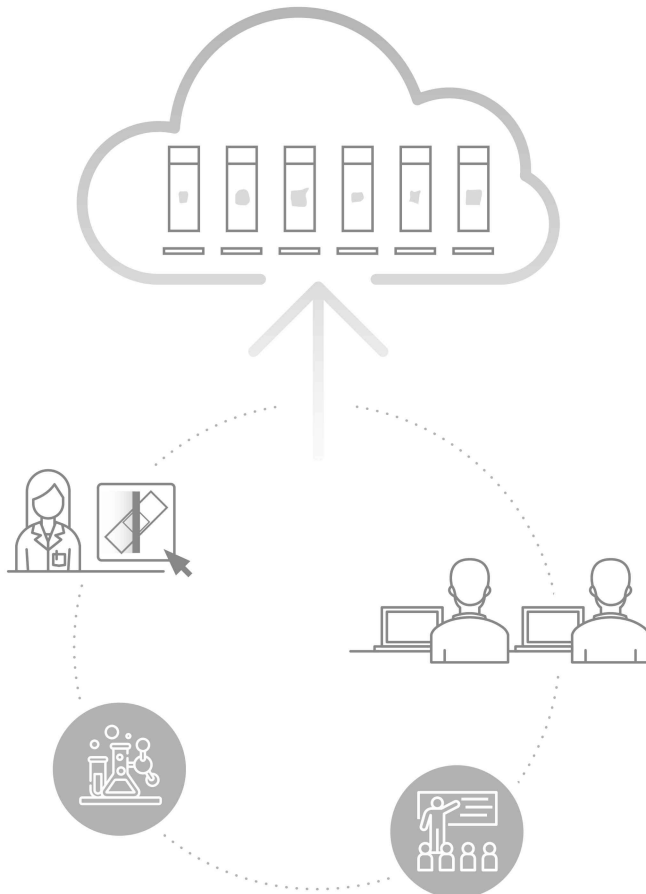
Support Pathology Research

High-throughput scanning coupled with Motic's digital slide management software allow academic and industry researchers to:

- Create and manage large data sets for analysis and machine learning
- Streamline workflow with automated barcode metadata capture
- Annotate slides with built-in markup features
- Easily search their entire slide database for library management
- Quantify results with measurement marking, size estimates, and counting
- Compare side by side displays (for IHC or reference image use) or view multiple images
- Encrypt slides for data security

WITH DSSERVER:

- Flexible cloud- or local network-deployable slide library management software
- Conference tools for group discussion and education (including logins and access management)
- Tools for analysis, including measurement, screenshot, annotation, and more
- One time fee for a perpetual license, because you shouldn't have to pay extra to see your own slides



Bring your archive or classroom into the future

Slide management and storage for archiving and education allow users to:

- Digitize rare, delicate, or historic slides
- Eliminate the risk of broken slides
- Offer students identical slide information, accessible 24/7
- Reduce the physical footprint required for storing glass slides



Scanning modes

- Automatic tissue area detection (with manual override) saves time by removing blank glass from the scan area.
- Intuitive and easy to use. Once the tray is loaded, initiate scanning with a single click.

Four scanning modes offer incredible versatility to suit every purpose and sample thickness:

STANDARD AUTOFOCUS MODE

Scans in a single, high-definition plane.

HIGH PRECISION MODE

Pans through wavy specimens to locate the ideal focus plane, then scans to output a single layer.

Used for wavy slides or when high precision images are required.

Z-STACK MODE

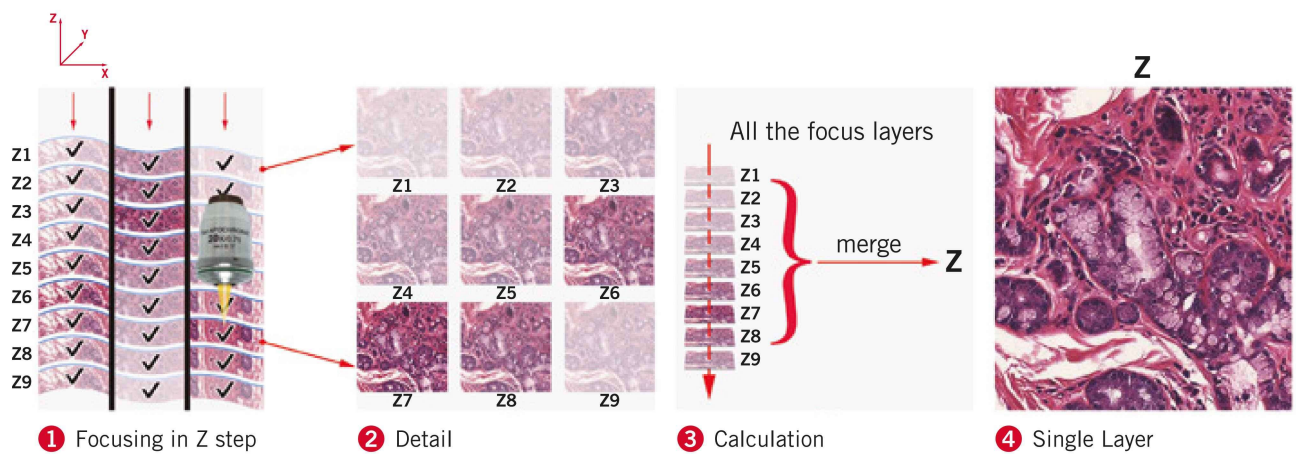
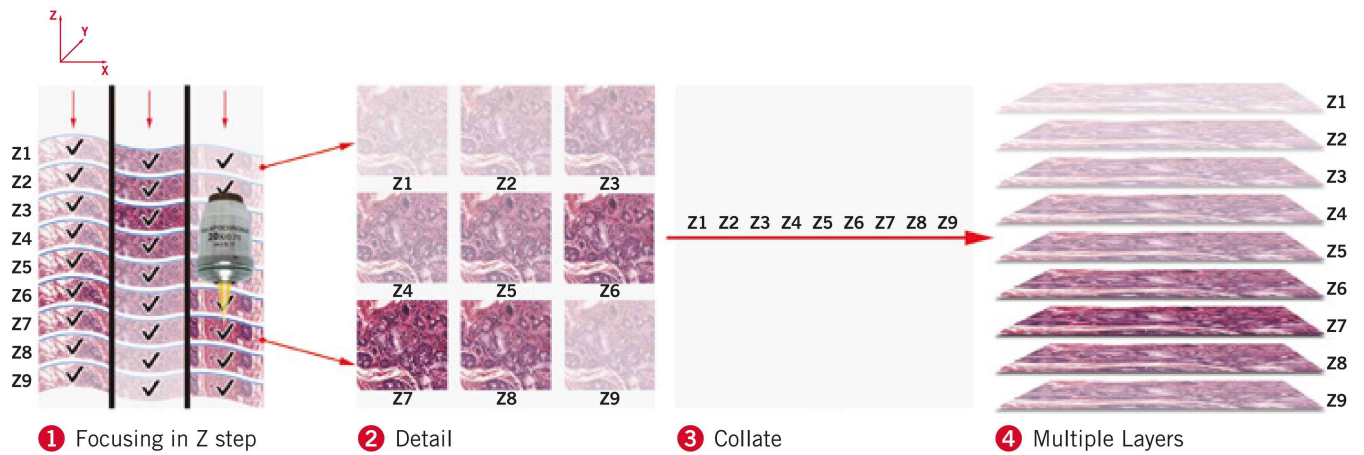
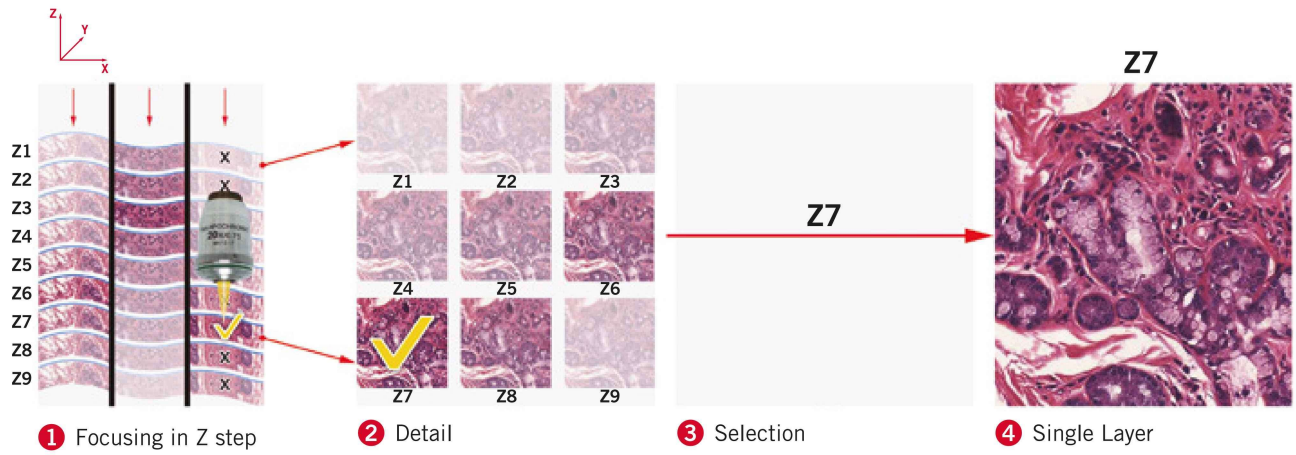
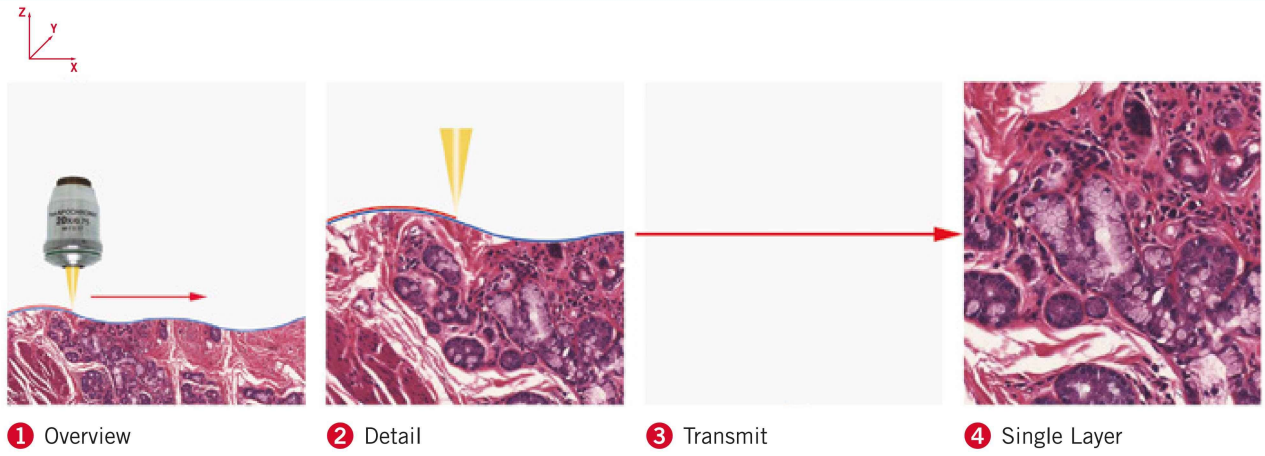
Scans multiple layers of a thick specimen and then collates into a 3D reconstruction.

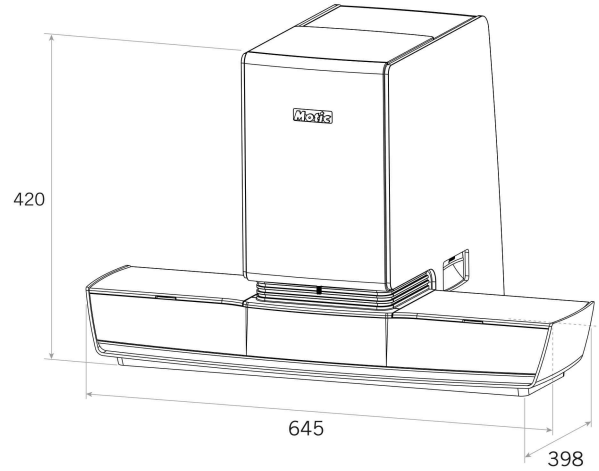
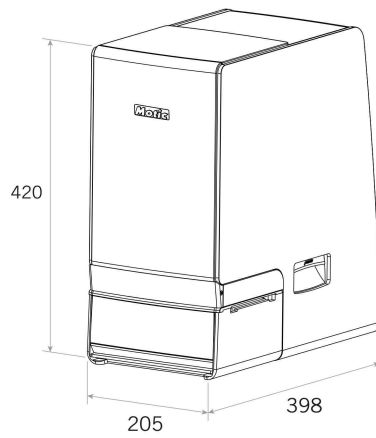
Used to create 3D reconstruction of slide layers.

EXTENDED DEPTH OF FIELD MODE

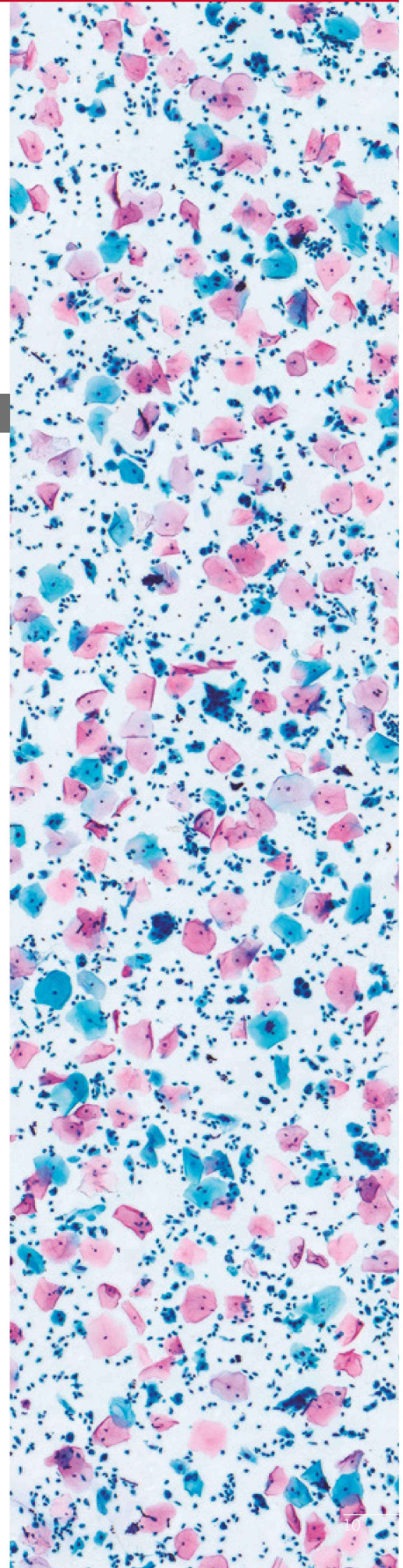
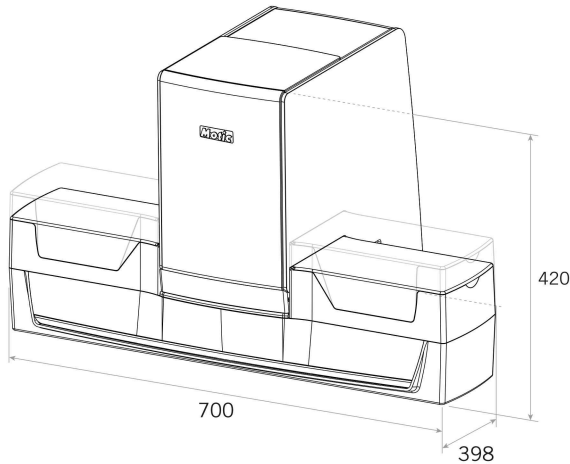
Scans multiple layers of a thick specimen and then merges all those layers into one final, fully in-focus image.

Used for thick slides with low light transmission.





Product Series	MoticEasyScan One	MoticEasyScan Pro
Model	MoticEasyScan One	MoticEasyScan Pro 6
Objectives CCIS®	S Apo Objective 10X/0.3 Plan APOCHROMAT 20X/0.75 S Apo Objective 40X/0.75	S Apo Objective 10X/0.3 Plan APOCHROMAT 20X/0.75 S Apo Objective 40X/0.75
Scanning time (15x15mm - full tissue)	Standard mode: 60s (20X - with 10X objective) Standard mode: 160s (40X - with 20X objective) Standard mode: 640s (80X - with 40X objective)	Standard mode: 60s (20X - with 10X objective) Standard mode: 160s (40X - with 20X objective) Standard mode: 640s (80X - with 40X objective)
Resolution	20X: 0.52µm/pixel 40X: 0.26µm/pixel 80X: 0.13µm/pixel	20X: 0.52µm/pixel 40X: 0.26µm/pixel 80X: 0.13µm/pixel
Focusing Technique	Real-time autofocus	Real-time autofocus
Scanning camera	5.0 MP (2/3" high speed Sensor)	5.0 MP (2/3" high speed Sensor)
Nosepiece	3 hole	3 hole
Light source	10W LED (Lifetime: 25,000 Hours)	10W LED (Lifetime: 25,000 Hours)
Slide capacity	1 Slide	6 Slides
Slide Tray	1 Slide Capacity	6 Slide Capacity
Slide dimensions	76 x 26mm	76 x 26mm
Slide tolerances (mm)	Length: +0/-1, Width: +0/-1	Length: +0/-1, Width: +0/-1
Scanning mode	Normal (Real-time autofocus) High precision (High precision autofocus) EDF (Extended depth of field) Z-Stack (Three Dimensional stacking)	Normal (Real-time autofocus) High precision (High precision autofocus) EDF (Extended depth of field) Z-Stack (Three Dimensional stacking)
Barcode Support	1D: Interleaved 2 of 5, Code 39, Code 128 2D: Data Matrix, QR Code	1D: Interleaved 2 of 5, Code 39, Code 128 2D: Data Matrix, QR Code
Computer*	Not included / Optional Minimum Specifications: Intel Core i7-7700 16GB Memory 128GB SSD & 1TB SATA Disk Windows 10 Professional 64-bit	Included All-in-one business PC with 4K monitor and Windows OS Intel Core i7-7700 / 16GB Memory 128GB SSD & 1TB SATA Disk Wireless Keyboard and Mouse Windows 10 Professional 64-bit
Monitor	Not included / Optional	Included: All-in-One 23.8" LED 4K resolution
Interface	USB 3.0	USB 3.0
Included software	DSAssistant EasyScanner software (for MoticEasyScan One)	DSAssistant EasyScanner software (for MoticEasyScan Pro)
Optional software	DSAConference, DSServer, FS-Live Telepathology System	DSAConference, DSServer, FS-Live Telepathology System
Optional Modules	No	Large Mode (76x50mm slide)
Dimensions	205 x 398 x 420mm	645 x 398 x 420mm
Net weight	12.6 kg	16 Kg



MoticEasyScan Infinity		Product Series
MoticEasyScan Infinity 60	MoticEasyScan Infinity 100	Model
S Apo Objective 10X/0.3		Objectives CCIS®
Plan APOCHROMAT 20X/0.75		
S Apo Objective 40X/0.75		
Standard mode: 60s (20X - with 10X objective)		Scanning time (15x15mm - full tissue)
Standard mode: 160s (40X - with 20X objective)		
Standard mode: 640s (80X - with 40X objective)		
20X: 0.52µm/pixel		Resolution
40X: 0.26µm/pixel		
80X: 0.13µm/pixel		
Real-time autofocus		Focusing Technique
5.0 MP (2/3" high speed Sensor)		Scanning camera
3 hole		Nosepiece
10W LED (Lifetime: 25,000 Hours)		Light source
60 Slides	102 Slides	Slide capacity
6 Slide Capacity (10 trays)	6 Slide Capacity (17 trays)	
76 x 26mm		Slide Tray
Length: +0/-1, Width: +0/-1		Slide dimensions
Normal (Real-time autofocus)		Slide tolerances (mm)
High precision (High precision autofocus)		
EDF (Extended depth of field)		Scanning mode
Z-Stack (Three Dimensional stacking)		
1D: Interleaved 2 of 5, Code 39, Code 128		
2D: Data Matrix, QR Code		Barcode Support
Included		Computer*
All-in-one business PC with 4K monitor and Windows OS		
Intel Core i7-7700 / 16GB Memory		
128GB SSD & 1TB SATA Disk		
Wireless Keyboard and Mouse		
Windows 10 Professional 64-bit		
Included: All-in-One 23.8" LED 4K resolution		
USB 3.0		
DSAssistant, DSServer		
EasyScanner software (for MoticEasyScan Infinity)		
DSAConference		Optional software
Large Mode (76x50mm slide)		Optional Modules
700 x 398 x 420mm		Dimensions
33 Kg	33.4 Kg	Net weight

*The computer configuration may change in accordance with the technical progress, without notice and without obligation



Canada | China | Germany | Spain | USA



Motic Digital Pathology addresses the growing global pathology care gap by making digital medicine approachable for hospitals, labs, and doctors everywhere. We promote adoption of telepathology through our innovative, cost-effective solutions developed directly in conjunction with partner pathologists. As a business unit of Motic, a leader in the field of optics since 1988, we are part of a global company innovating for a better tomorrow.

www.moticeurope.com | www.moticeasyscan.com

EN | ES | FR | DE | IT | PT

Motic Instruments (Canada)

130 - 4611 Viking Way. Richmond, BC V6V 2K9 Canada
Tel: 1-877-977 4717 | Fax: 1-604-303 9043

Motic Deutschland (Germany)

Christian-Kremp-Strasse 11, D-35578 Wetzlar, Germany
Tel: 49-6441-210 010 Fax: 49-6441-210 0122

Motic Hong Kong (Hong Kong)

Unit 2002, L20, Tower Two, Enterprise Square Five
38, Wang Chiu Road, Kowloon Bay, Kowloon, Hong Kong
Tel: 852-2837 0888 | Fax: 852-2882 2792

Motic Europe (Spain)

C. Les Corts 12, Pol. Ind. Les Corts. 08349 Cabrera de Mar, Barcelona, Spain
Tel: 34 93 756 62 86 | Fax: 34 93 756 62 87

*CCIS® is a trademark of Motic Incorporation Ltd.

Motic Incorporation Limited Copyright © 2002-2020. All Rights Reserved.

Design Change: The manufacturer reserves the right to make changes in instrument design in accordance with scientific and mechanical progress, without notice and without obligation.

Designed in Barcelona (Spain)

April 2020



Official Distributor: